

ZWILLING® FRESH & SAVE SET

USER MANUAL

Safety

Safety

Please carefully read this user manual in its entirety before using the vacuum pump. Keep this manual in a safe place. If you give the vacuum pump away, be sure to include this manual with it. A failure to com-

ply with this user manual can lead to serious injury or damage to the appliance. ZWILLING does not accept any liability for damage caused by a failure to comply with this user manual.

Safety information

The vacuum pump (hereinafter referred to as the "appliance") is intended to be exclusively used with all ZWILLING FRESH & SAVE vacuum storage options to create an effective vacuum seal for long-lasting food storage. It may only be used with the accessories supplied or approved by ZWILLING. Any other use is considered improper and may result in personal injury or property damage. The appliance is

intended for domestic use. It is not intended for commercial use. Do not use the appliance on yourself, other persons or animals. Certain persons are at greater risk: this appliance can be used by children aged from 8 years and above and persons with reduced physical or sensory capabilities or lack of experience and knowledge if they have been given supervision or

instruction concerning use of the appliance in a safe way and understand the hazards involved. Children shall not play with the appliance. Cleaning and user maintenance shall not be made by children without supervision.

Keep the appliance and its connecting cable in a location that is not accessible to children under 8 years old. Keep children away from the packaging material. It poses a risk of suffocation. The device has a permanently installed battery. Improper handling causes the risk of fire. Only charge the battery using the included charging cable. Do not disassemble the battery. Do not short-circuit the appliance and do

not throw it into fire. Do not open or otherwise destroy the appliance.

The appliance is charged with electric current. There is therefore a danger of electric shock. Only charge the appliance if the voltage stated on the rating plate of the used adapter matches the voltage of your socket. Make sure that the charging cable is not kinked or pinched and make sure that the charging cable and the appliance do not come in contact with sources of heat (e.g. hobs, gas flames). Always directly unplug the power adapter from the socket (do not pull the charging cable). Do not carry the appliance by the charging cable.

Disconnect the charging cable from the appliance immediately after the charging process is complete. After every charging and in the event of danger or a defect, unplug the power adapter connected to the charging cable from the socket immediately. Unplug the appliance from the charging cable prior to cleaning or maintenance. As long as the power adapter is plugged in, there is a voltage inside the appliance, even if the appliance is switched off. Never unscrew the appliance and do not make any technical modifications.

Check the appliance for damage prior to each use. If you detect any transport damage, contact the dealer from whom you purchased the appliance immediately. Never use a faulty appliance or faulty accessories. Never operate an appliance or accessories that have been dropped. In the event of a fault, please contact our customer service. The appliance does not contain any parts that you are able to repair yourself. Damage may occur if the appliance is handled incorrectly.

Explanation of symbols



Danger of harm to persons or property due to electric current



Risk of property damage and damage to the appliance



Hints for effective use

Key to symbols on the appliance



Appliance class III - Low voltage



CE certification mark

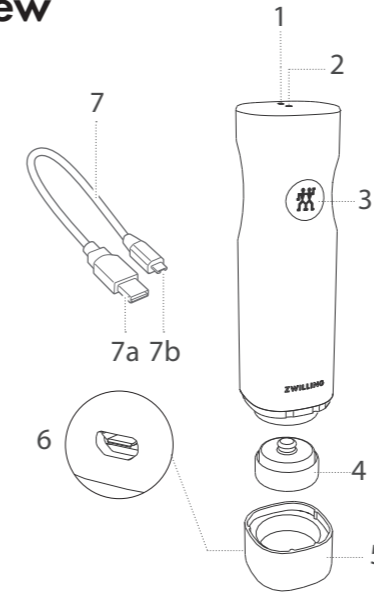


Do not throw away with household waste



EAC certification mark

Overview



- | | | | |
|---|-----------------|---|---|
| 1 | Battery symbol | 5 | Charging station |
| 2 | Indicator light | 6 | USB connection port |
| 3 | On/Off button | 7 | Charging cable with USB 2.0 (a) and micro USB (b) |
| 4 | Silicon top | | |

Technical data – vacuum pump

Battery specification	3,7 V, Li-ion 1200 mAh
Power adapter (not included)	Input: 100 - 240 V~, 50/60 Hz Output: 5 V $\overline{=}$, 1000 mA
Charging cable	USB 2.0 type A, micro USB, length 0.8 m
Dimensions (L x W x H)	50 x 50 x 190 mm
Weight	approx. 0.3 kg
Material	ABS plastic, silicone

Content in starter set may vary.

Use

! Congratulations on your ZWILLING FRESH & SAVE vacuum starter set. With ZWILLING FRESH & SAVE vacuum products you can keep your food fresh for longer.

Please note that vacuuming is no a substitute for proper freezing, cooling or preservation of food. The shelf life of food depends on many factors, such as the initial germ content of the food, the observance of correct storage and cooling conditions and the required hygiene during processing and vacuuming. Maintain the usual storage and hygiene procedures for food. If possible, dry the food before vacuum packaging. Always wait for the food to cool down to room temperature before vacuuming. Some vegetables emit gases in their raw state, which can lead to a loss of vacuum inside the packaging. These include cabbage, beans, onions and garlic. To prevent the formation of gases, these should be blanched before vacuuming. Blue cheese should not be stored under vacuum, fresh mushrooms only when deep-frozen.

Reading the indicator light and battery symbol

- Indicator light flashing: Vacuum sealing in process
- Indicator light lights up for 5 seconds and then turns off: Vacuum sealing is complete
- Battery symbol flashing fast: Battery power is low
- Battery symbol flashing slow: Charging in process
- Battery symbol glowing: Fully charged, ready to unplug

1 Charging the vacuum pump

! To maintain optimal battery function, charge at least once every 3 to 6 months.

Charge the vacuum pump fully before the first use. Place the pump in the charging station. Insert the small USB connector into the port at the charging station. Insert the larger USB connector (USB 2.0) into a power adapter and plug it into a wall socket.

You can also connect the charging cable to the USB port of a computer. During charging, the indicator light will flash slowly. When the pump is fully charged, the indicator light will continuously glow. Depending on the power source charging may take 2 to 5 hours.

2 Vacuum sealing boxes and bags

! The pump must not absorb any liquids (e.g. water, oil, meat juices). If you see that the pump is sucking in liquids, immediately stop the vacuum sealing process by pressing the On/Off button.

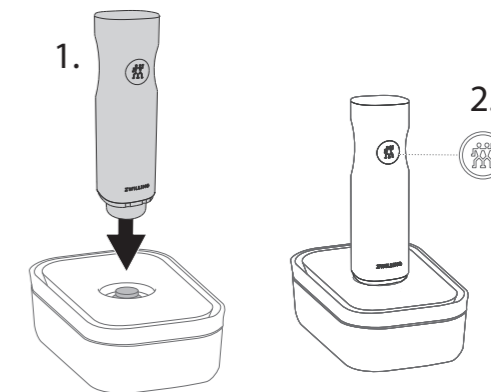
i The duration of the vacuum sealing process depends on the size of the container and how much it is filled. If a container is smaller or more full, the vacuum sealing process is faster.

Place the vacuum pump on the valve of the box and, if necessary press down lightly. Press the On/Off button on the pump.

The pump sucks the air out of the box. The vacuum sealing stops automatically when the vacuum pressure reaches the right level. The vacuum sealing can also be manually interrupted at any time by pressing the On/Off button.

If the right level cannot be reached because, for example, the pump is not seated correctly, the vacuum process will stop automatically after 2 minutes. The container may not be closed properly.

- !** Clean the vacuum boxes before using them for the first time. Before each use, make sure that the seal of the lid and the edge of the box are clean and dry.
- !** Do not overfill the box. Always leave 1–2 cm free to the edge.
- !** Make sure the food inside the box does not come in contact with the valve on the inside of the lid.



! ZWILLING FRESH & SAVE glass vacuum boxes can be placed in the oven if the lid is removed (max. 180 °C). Do not expose the glass vacuum boxes to extreme temperature shocks, e.g. do not place a vacuum box out of the fridge into a warm oven.

! The opening of the bag has to be completely clean and dry. Make sure the valve on the inside of the bag does not come into contact with its contents.

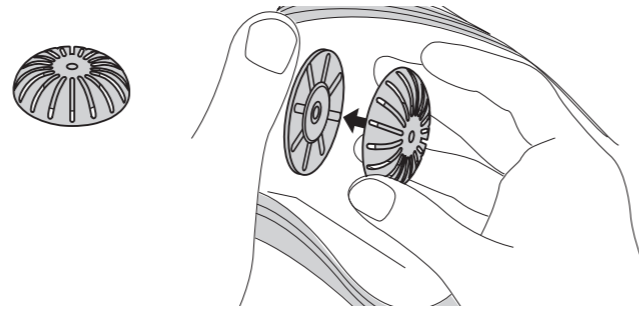
! All bags and boxes included in the starter pack can be used to warm up food in the microwave. Even boxes with attached lids. For oily foods we recommend to use the glass boxes.

! Before using the boxes in the microwave, make sure that the vacuum has been released and the lid is resting loosely on top.

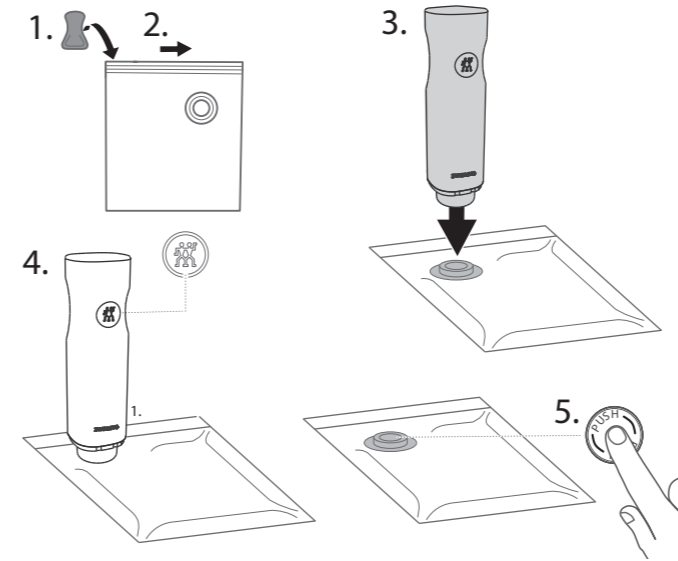
i With soft or liquid foods, it helps to freeze them briefly before vacuuming into bags. A firm consistency prevents your food from being crushed during vacuuming or liquid from entering the pump. Alternatively, the ZWILLING FRESH & SAVE vacuum boxes are particularly suitable here.



For marinating or sous-vide cooking, we recommend the use of the liquid barrier attachment. Clip it onto the valve on the inside of the bag before sealing the bag. The liquid barrier inhibits liquid absorption by the pump during the vacuum sealing process. Stop the vacuum sealing process immediately by pressing the ON/OFF button if you see liquids getting nearer to the pump.

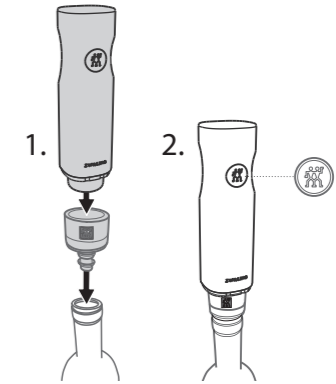


Bags can be easily closed with the included zipper. Slide it sideways onto the bag and move it across to close the bag. Then stroke your finger with a little pressure over the sealing strip to ensure that the bag is properly closed. To open the bags, pull the sealing bar apart with your hands.



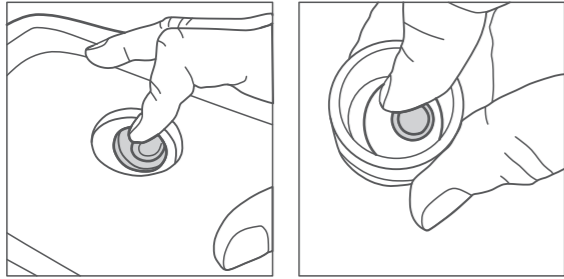
! Remember to press down the PUSH button in the middle of the silicone valve after each vacuuming process to finally seal the valve.

Bottles can be sealed using the wine sealer. The pump stops automatically when the vacuum pressure reaches the right level.

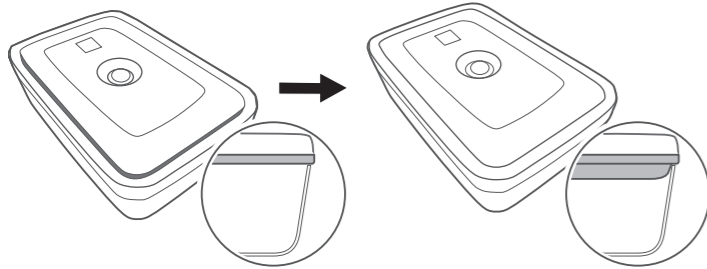


3 Opening a vacuumed container

To open vacuum boxes or bottles, carefully pull the silicone valve to the side. Air flows in slowly and the vacuum escapes. The containers can be opened.



After the vacuuming process, the inner lid of the vacuum box will be lowered and the sealing is expanded (this behaviour does not apply to lids from lunch boxes). As soon as the inner lid lifts, the vacuum should be refreshed. Use the vacuum pump to vacuum the box again.



4 Using QR codes and the app

ZWILLING FRESH & SAVE vacuum boxes and bags are equipped with a QR code, which is matched to the ZWILLING app. With the help of the app you can easily manage your vacuumed food and have a perfect overview of your stocks. The QR code on the products makes it easy to check the food into the app. The app reminds you when your food is due to expire. First download the ZWILLING app and then scan the QR code.



Each vacuum bag has a unique bag ID. This helps you to clearly identify your food.

More information and to download the app for free:



www.zwilling.com/app

Cleaning



Unplug the power adapter and disconnect the vacuum pump from the charging cable prior to cleaning.

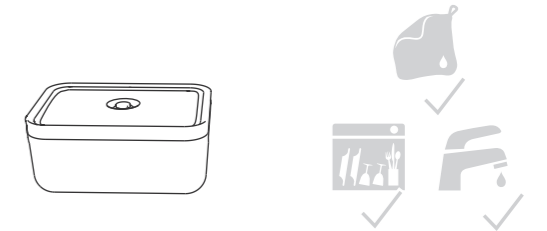
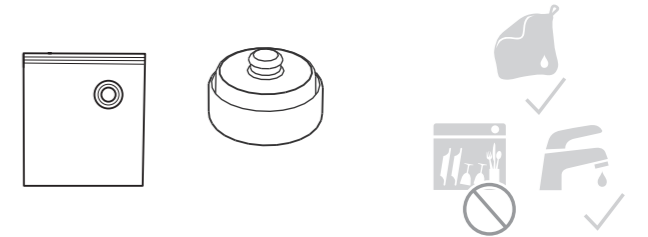
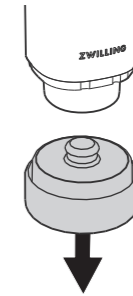
1 Cleaning the vacuum pump

Only use a dry or slightly damp cloth to clean the body of the vacuum pump and the charging station. Do not put any parts of the pump into the dishwasher.



2 Cleaning the silicone top

To clean the silicone top, remove it from the body of the vacuum pump by gently pulling downwards and clean it with water.



3 Cleaning the boxes

The boxes can be cleaned in the dishwasher.

4 Cleaning the bags

You can clean the bags by hand and reuse them afterwards. Dry the bags completely after each cleaning. If you have stored raw meat, fish, eggs or raw milk cheese in them, they must be cleaned particularly thoroughly.

Troubleshooting

Problem	Possible cause	Remedy
The pump does not respond to the On/Off button.	The battery of the pump is low or not charged.	Charge the pump's battery.
	The lid of the vacuum container, the silicone seal or the valve is positioned incorrectly.	Check that the positioning is correct and that the lid is properly closed.
The pump does not create a vacuum when placed on a container or the vacuum does not last.	The silicone seal or the container valve is dirty or wet.	Clean and dry the silicone seal and the valve of the container.
	The pump sits too loosely on the valve.	During vacuum sealing, lightly press the pump into the dock surrounding the valve to create a tight seal between the pump and the valve.
The above problems cannot be solved.	The vacuum pump could be broken.	Contact customer service. Do not try to repair the pump yourself.

The pump stops during the vacuum sealing process and does not turn back on.

The pump sucked in liquids during the vacuum sealing process.

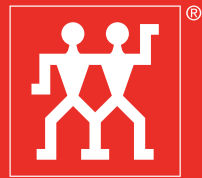
Do not turn the pump upside down. Shake the pump slightly to remove any liquid. Make sure the pump and the charging station are completely dry. Plug the pump into the charging station for one second to reset, then remove it and push the On/Off button. Additional liquids may drip out. Repeat this process if the pump stops again.

Customer Service

Please contact our customer service should you encounter any problems with your vacuum pump. Detailed information on service, repairs and warranty can be found at www.zwilling.com/service.

Disposal

Do not dispose of the appliance with household waste. For an eco-friendly disposal, please return your old appliance to a collection point for electrical appliances. Separate collection of individual components of EE equipment prevents negative effects of environmental pollution and minimises danger to human health, which may occur as a result of improper product disposal. In addition, it enables reuse and recovery of the materials, thus saving energy and raw materials.



ZWILLING

ZWILLING J.A. HENCKELS AG

Gruenewalder Strasse 14-22 · 42657 Solingen
Germany · www.zwilling.com

010345401_0620
Made in China